



The EMPIR initiative is co-funded by the European Union's Horizon 2020 research and innovation programme and the EMPIR Participating States

# Linearity of 8588A (WP4)

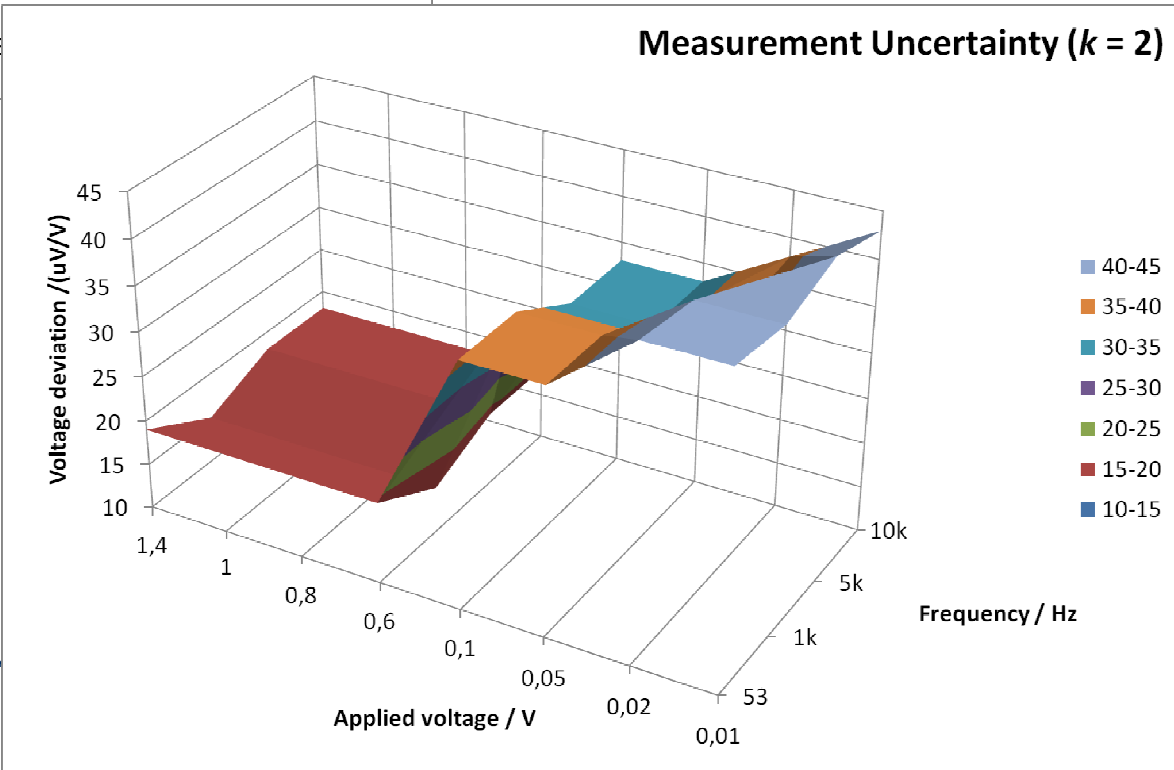
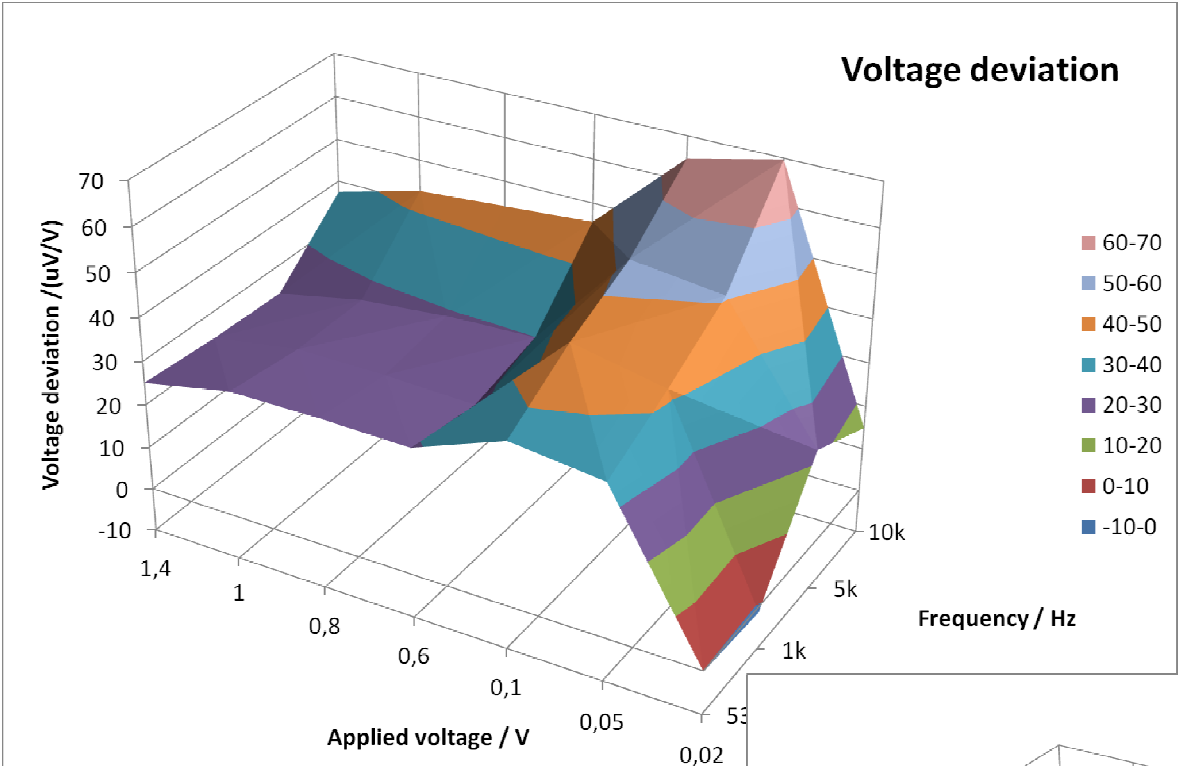
A. Pokatilov

DIG-AC Final Meeting, 19.-20.05.2022





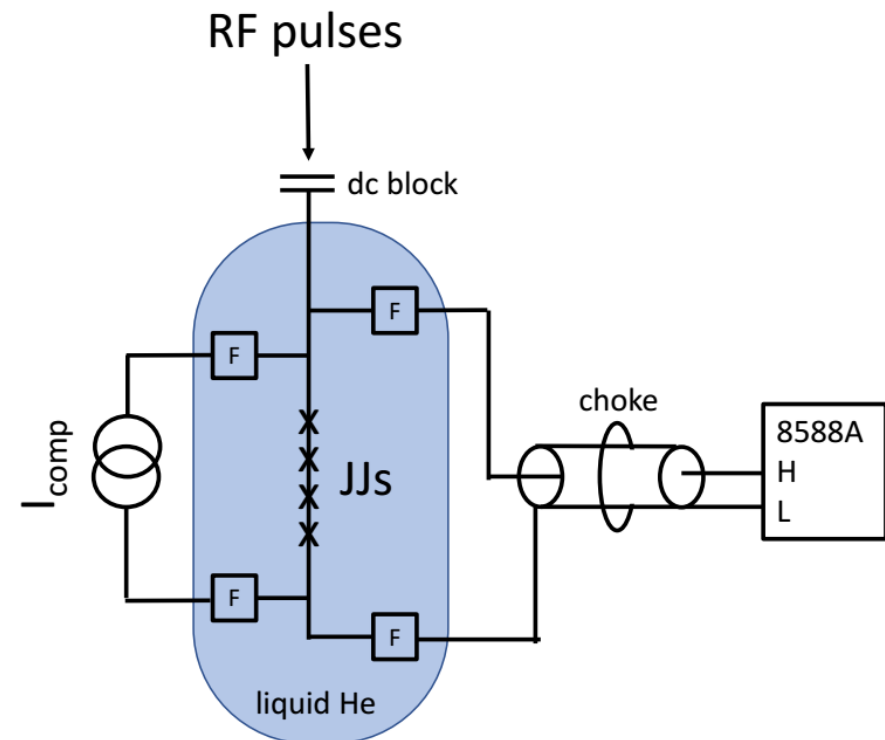
# Measurement results against 792A



# Interlaboratory Comparison Metrosert and PTB

- Travelling standard: Fluke 8588 A
- Sampling mode
- 100 mV and 1 V ranges, 48 measurement points
- Voltage level up to 100 mV
- Frequencies up to 10 kHz

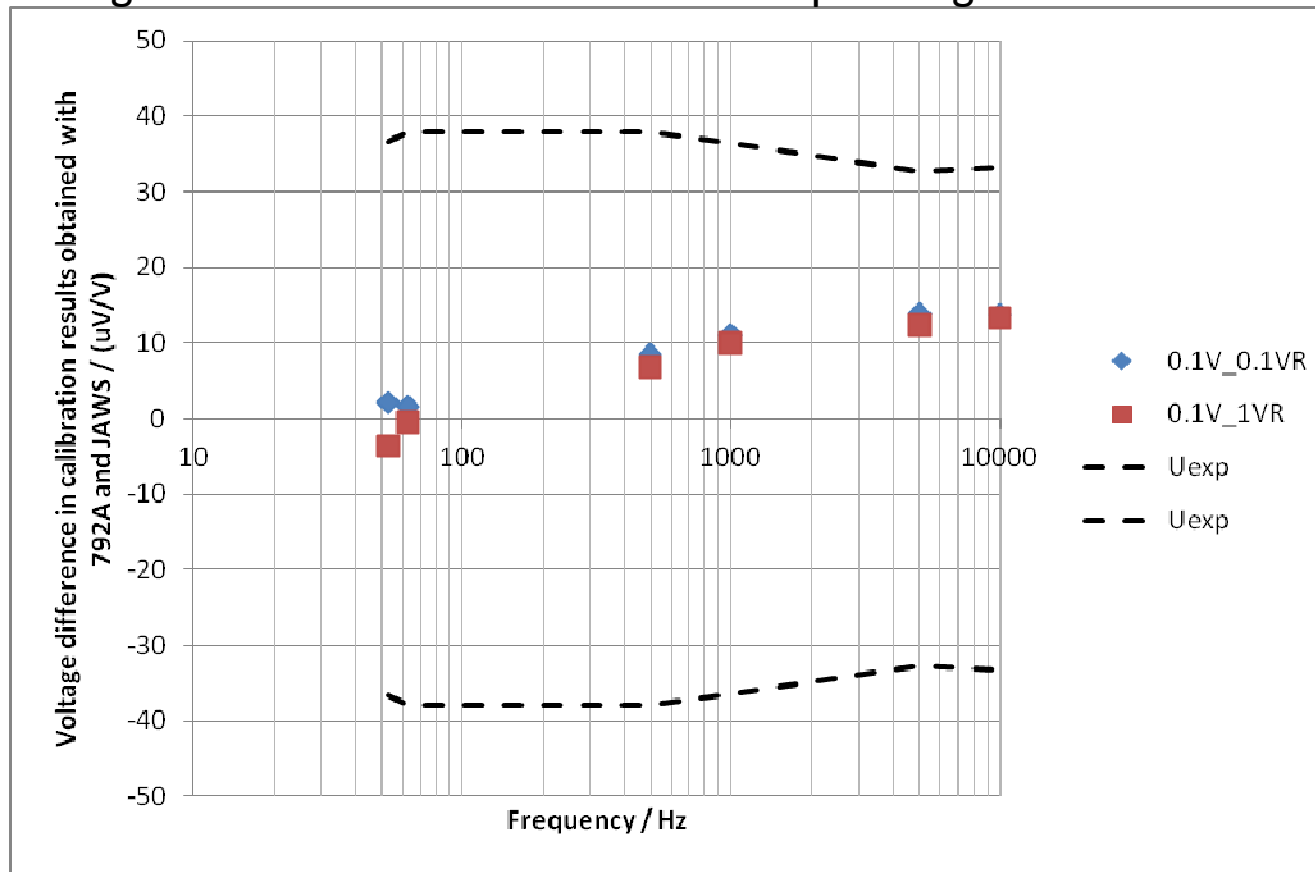
Measurement setup with Josephson arbitrary waveform synthesizer (JAWS) at PTB:



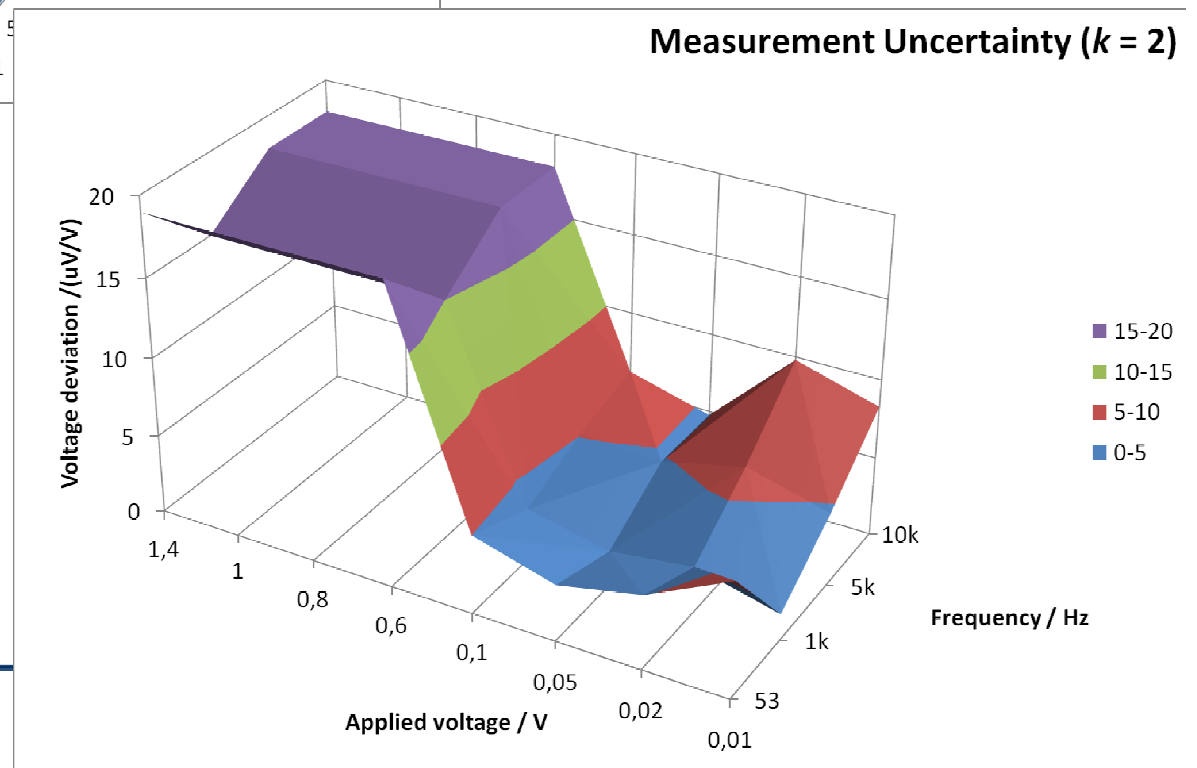
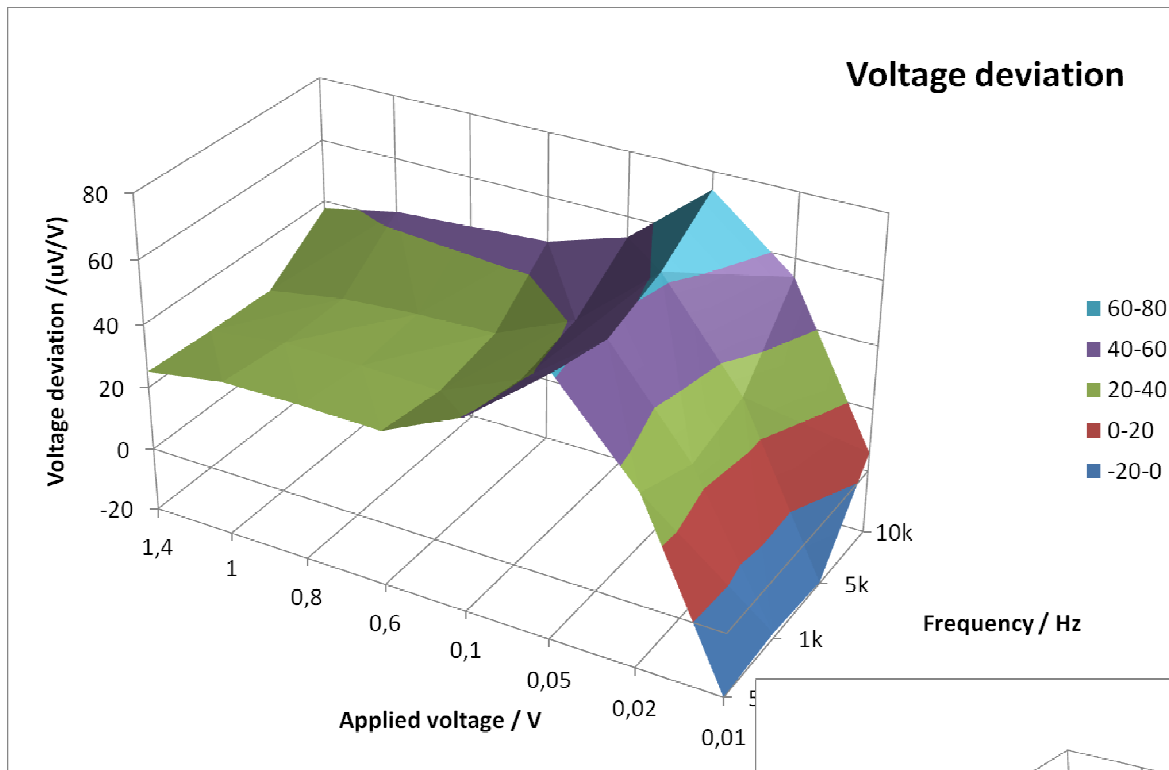
# Measurement results of comparison

All  $|E_n|$  values are less than 1

Voltage differences at 100 mV level for input ranges 100 mV and 1 V



# Measurement results against 792A and JAWS





# Täna tähelepanu eest!

E-post: [andrei.pokatilov@metrosert.ee](mailto:andrei.pokatilov@metrosert.ee)

AS Metrosert

Teaduspargi 8, Tallinn

Teaduspargi 11, Tartu

Sompa 1A, Jõhvi

DIG-AC Final Meeting, 19.-20.05.2022

